

**M12 female 0° shielded with cable**

RADOX EM 104 5x0.5 shielded bk 1.5m

Female straight

M12, 5-pole

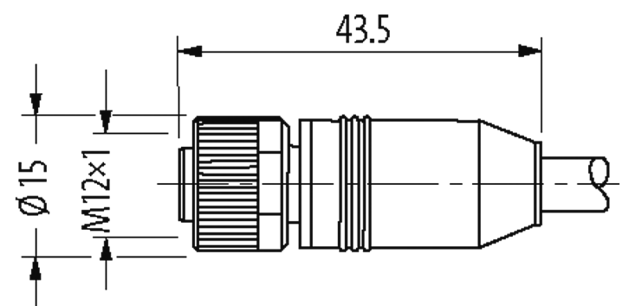
shielded

with cable sleeves

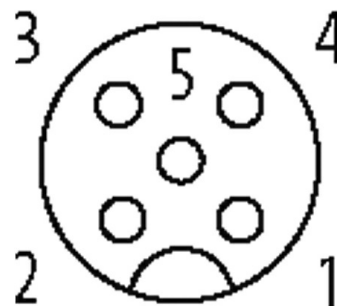
Plastic housings with good resistance against chemicals and oils.

The resistance to aggressive media should be individually tested for your application. Further details on request.

Further cable lengths on request.

**[Link to Product](#)****Illustration**

Female



Product may differ from Image

**Form**

Form 13221

**General data**

Standards DIN EN 61076-2-101 (M12)

Pollution Degree 3

Stripping length (jacket) 40 mm

Temperature range -25...+85 °C, depending on cable quality

Cables	
Cable number	R14
No./diameter of wires	5 × 0.5 mm <sup>2</sup>
Wire isolation	Radox EI 303
Jacket Color	black
Material (jacket)	Radox EM 104
Outer Ø	6.2 mm ±5%
Bend radius (moving)	4 × outer-Ø
Temperature range (fixed)	-50...+120 °C
Temperature range (mobile)	-25...+90 °C
Cable identification	R14
Approval (cable)	DIN EN 45545-2, CE conform
Cable weight [g/m]	77,00
Material (wire)	Cu wire, tin plated
Resistor (core)	max. 40.1 Ω/km (20 °C)
Single wire Ø (core)	0.18 mm
Construction (core)	19 × 0.18 mm
Diameter (core)	5 × 0.5 mm <sup>2</sup>
AWG	similar to AWG 20
Material (wire isolation)	Radox EI 303
Wire-Ø incl. isolation	1.42 mm ±5%
Color/numbering of wires	wh (bk num)
Stranding combination	5 wires twisted around central filler
Shield	yes
Shield (Type)	Tinned wire mesh
Material (jacket)	Radox EM 104
Outer-Ø (jacket)	6.2 mm ±5%
Color (jacket)	black
Nominal voltage	600/1000 V AC
Test voltage	3500 V AC
Current load capacity	according to DIN VDE 0298-4
Temperature range (fixed)	-50...+120 °C
Temperature range (mobile)	-25...+90 °C
Bend radius (fixed)	3 × outer-Ø
Bend radius (moving)	4 × outer-Ø
Technical Data	
Operating voltage	max. 60 V AC/DC
Rated surge voltage	1.5 kV
Operating current per contact	max. 4 A
Material group	IEC 60664-1, category I
Coding	A-coded
Locking of ports	Screw thread (M12×1 mm) recommended torque 0.6 Nm, self-securing
Compression gland	M12 (SW13)
Locking material	Zinc die casting, matte nickel plated
Material	PUR
suitable for corrugated tube (internal Ø)	without
Commercial data	
country of origin	DE

customs tariff number	85444290
EAN	4048879730884
eClass	27279218
Packaging unit	1